

1800 pcs.
per hour with
3 operators



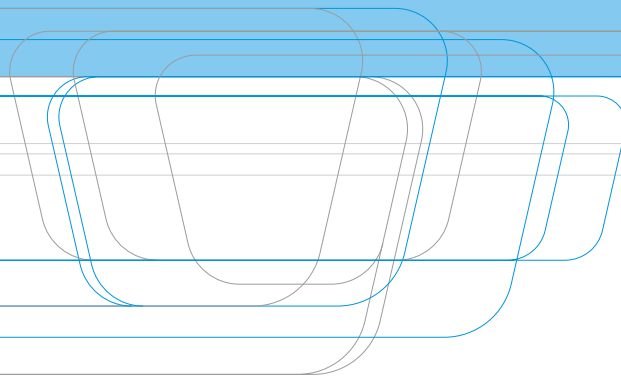
Jenfeed Express Plus

The fastest feeder in the world
now able to handle king size sheets



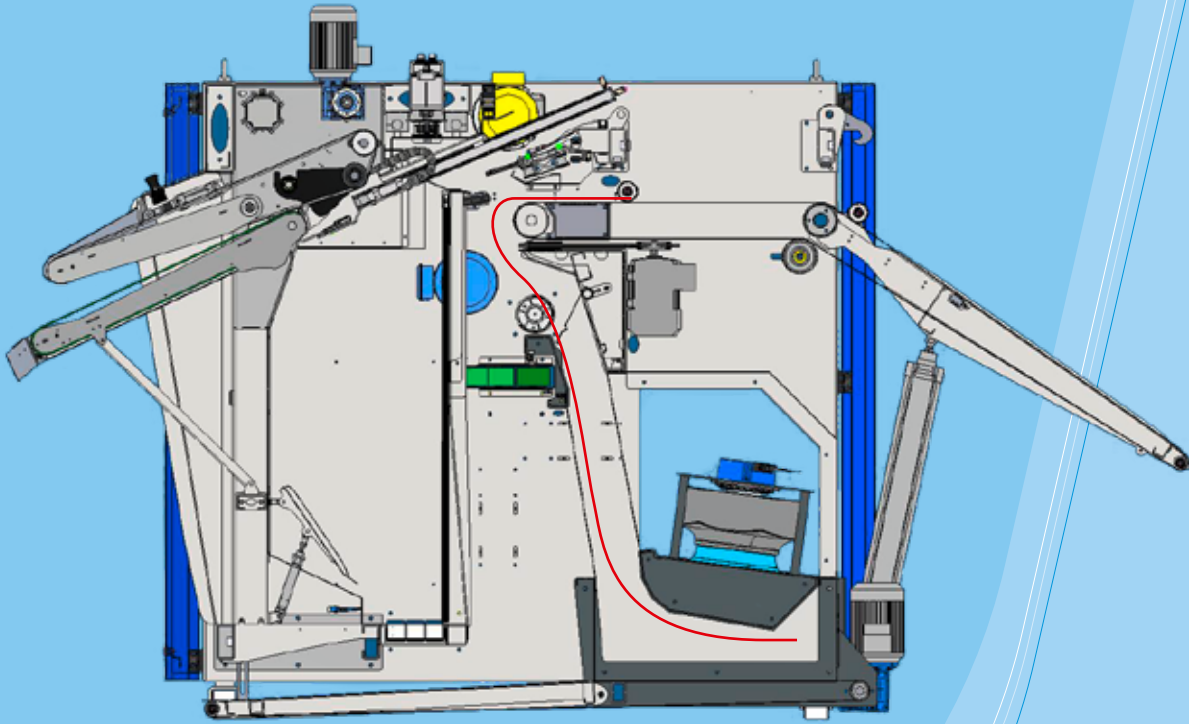


Fast cornerless feeding enabling feeding of 600 single hospital sheets per station per hour.



Jenfeed Express Plus

Two or three-station feeder for fast feeding of draw sheets, single sheets and king size sheets



Principle sketch showing the new Jenfeed Express Plus incorporating the new vacuum box allowing handling of king size sheets.

Application

The Jenfeed Express Plus is a high-volume feeder developed for fast feeding of sheets with special focus on optimizing the capacity per operator hour by ensuring optimum ergonomical working conditions at the feeder. The optimized capacity has been achieved by combining the cornerless feeding principle introduced by JENSEN in 1994 with 3 newly designed operator feeding stations, enabling each operator to easily feed up to 600 single sheets per hour, resulting in a record high capacity of up to 1800 pieces per hour.

With the introduction of a vacuum box, the Jenfeed Express Plus is now able to feed king size sheets, and combined with the brand new JENSEN Quality Unit meet the demands within the hospitality sector.

Double feeding capacity by cornerless feeding

Cornerless feeding means "one grip – no corners", thus the operator needs not find the two corners of the piece before feeding the piece. One grip is enough for finding the approximate center of the piece, which is easily fed into the feeding bill. The method has proven to double the feeding capacity per operator compared to traditional feeding of two corners into feeding clamps.

Once fed into the feeding bill, the leading edge is grabbed between the upper and lower inlet belts, ensuring a firm grip to the linen and instant transport to the spreading system.

World record thanks to a built-in buffer system (Patent Pending)

JENSEN has developed a unique buffer system, allowing 9 sheets in the machine ready for being spread. In this way, the machine reaches a record low cycle time of only 2 seconds, allowing the spreading up to 1800 single sheets, or 1200 King Size sheets per hour. During the feeding process, the spreading clamps spread and center the linen in lane center before transferring it to the vacuum-supported delivery conveyor by air blast. During the process, the trailing edge is sucked into the vacuum box while at the same time the side edges of the linen are led between two sets of counter rotating spreading belts and spreading brushes ensuring that it is fully spread before exiting the machine.



The new 3-station Jenfeed Express Trio is capable of feeding up to 1800 single hospital sheets per hour.

More customers thanks to the new optional JENSEN Quality Unit

The JENSEN Quality Unit consists of an individual feeding conveyor developed on the basis of the direct „Concorde“ feeding conveyor, well-known from the Jenfeed Logic Plus range.

It is a free-standing unit to be positioned between the outlet of the Jenfeed Express Plus and the ironer, incorporating a stretch conveyor, spreading belts and the Concorde feeding nose with adjustable vacuum suction, ensuring that the piece enters the first chest of the ironer fully spread.

Space-saving and energy-saving solution

The record high throughput of the Jenfeed Express Plus makes it a space-saving and

energy saving solution as two JENSEN Express ironer lines incorporating a Jenfeed Express Plus, a Jenroll Express, and a Jenfold Classic S, can replace 3 ironer lines incorporating conventional fixed chest ironers.

Service-friendly solution

Two ironer lines rather than three makes the JENSEN Express Plus ironer line a service-friendly solution, as it requires less maintenance. All of this thanks to the new **Jenfeed Express Plus – the fastest 3-station feeder in the world.**

Double feeding capacity requires the fastest separator in the world – the JENSEN Viking 2000 Automatic

To ensure optimum working conditions and to reach the record high capacity of

the feeder, JENSEN recommends pre-separation of the linen with the JENSEN Viking 2000 Automatic separator, providing the operators with separated sheets ready for being picked up from a linen cart or from the Jenway FT conveyor system positioned in the optimum ergonomic position between the operators.



Jentrol HMI PLC and control system with touch-screen

Jentrol HMI PLC and control system with touch-screen

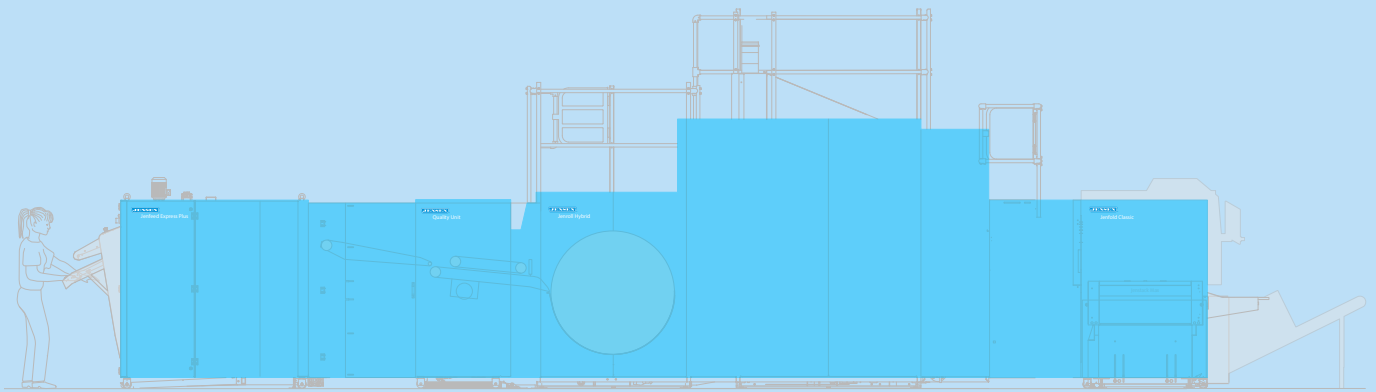
Accurate feeding at high speed requires ultra fast and accurate control. The Jentrol HMI PLC-control system represents the cutting-edge PLC-control system with touch-screen ensuring optimum control of the feeding parameters.

Easy-to-use man-machine interface

The Jentrol HMI control system features a fast and accurate processor, an easy-to-use man-machine interface, multi-language facilities and an option for remote system service.

Detailed information in up to 99 different categories, informing about:

- Minutes in operation since reset of category
- Piece count per category and in total
- Recent alarms, jam and errors



Sample configuration

Models and capacity

1-lane operation, 2 or 3 feeding stations.

Working width:

3050 mm / 120" and 3300 mm / 130"

Maximum practical capacity:

600 single hospital sheets per station per

hour.

Installation

JENSEN is pleased to assist you in planning your laundry by providing excellent advice, layouts and technical data. Authorised

JENSEN distributors or JENSEN engineers should carry out the installation to ensure that it is performed correctly.

Service

In addition, JENSEN provides an extraordinary after-sales service through a worldwide network of highly qualified Sales and Service Centres and distributors, all with their own maintenance and spare parts services.

Call us...

JENSEN provides a complete range of heavy-duty equipment for the laundry industry, delivered and installed according to your specifications. Please do not hesitate to contact us for further advice and information, or visit www.jensen-group.com

Local contact

www.jensen-group.com

Explore our equipment on 
www.youtube.com/jensengroupcom